

OSD[®]

BLACK

T65 MKII INSTALL GUIDE



Preparation:

Tools For Installation

- Pencil
- Drill
- Tape Measure
- Wire Cutter
- Phillips Screwdriver
- Utility Knife
- Safety Eye Wear
- Gloves
- Sandpaper

Speaker Wire Guide

- 18AWG minimum - for distances up to 10 ft
- 16AWG - from 10 to 50 ft
- 14AWG - from 50 to 100 ft

Considerations

- Where is the best place to install the speakers?
- Where do the speakers sound the best?
- Separate the speakers 6 - 10 feet apart.

Placement

There are many options for proper speaker placement depending upon speaker type and application. It's important to carefully plan the placement of your speakers, as installation requires that you cut a hole in your wall or ceiling.

(See **Diagram 1.**) Typical speaker placement for a 5.1 and 7.1 speaker system.

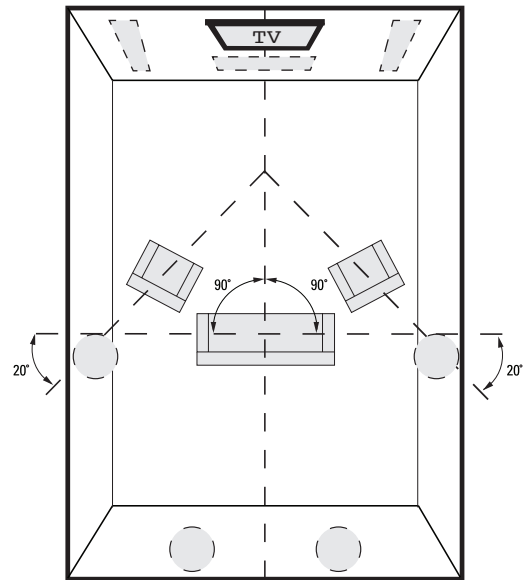


Diagram 1

Installation:

Cut Out

NOTE: This is the most important part of the entire installation. If you are not certain whether any obstructions exist behind the desired mounting area, you should start by cutting a small hole in the center of your penciled mounting hole with a drywall saw.

Using the Cut Out dimensions measure and trace a template on the wall in the desired location. Cut along the traced line using a drywall saw or rotary drill. Use a piece of sandpaper to sand down the cut out edge for a smoother contour. (See **Diagram 2.**)

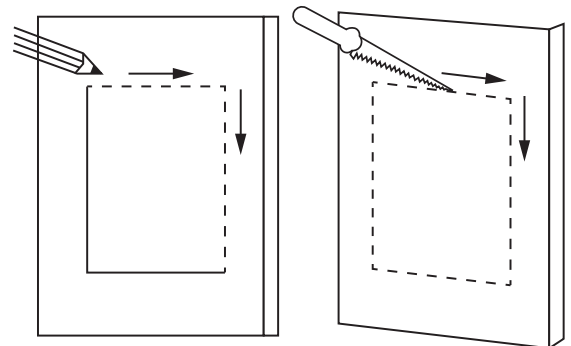


Diagram 2

Mounting

Tighten the mounting brackets by simply turning the screws on the front of the speaker baffle slowly clockwise. The quick-turn mounting system and frame will “sandwich” or clamp around the dry-wall to hold the speaker securely in place once fully tightened to the locked position. (See **Diagram 3.**)

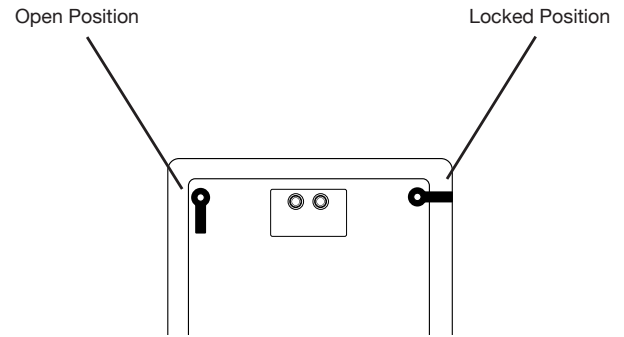


Diagram 3

Connection

When connecting any speakers to the amplifier or receiver, always make sure the power is off. Locate the connection terminals on the back of your receiver or amplifier. Always make sure to connect audio out from the back of your receiver or amplifier to the speakers. (See **Diagram 4.**)

NOTE: Not all Amplifier/Receivers can safely play more than one pair of speakers at once. Please refer to your owner’s manual for impedance and wattage compatibility.

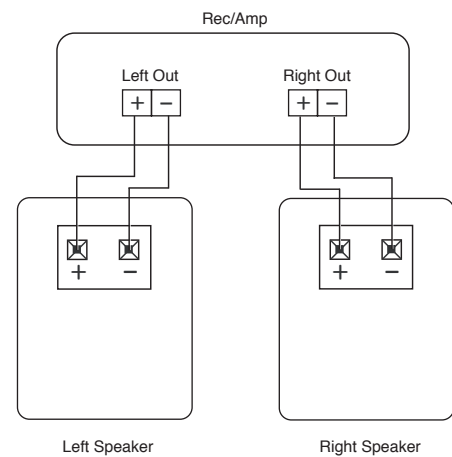


Diagram 4

Specifications:

T65 MKII

- Type: 2 Way In-Wall LCR
- Mid Bass: Two 6.5” Carbon Fiber Cone Driver W/ NBR Surround
- Tweeter: One 1” Titanium Dome
- Cloth Magnetic Grille
- Power Handling: 100W RMS / 200W Max
- Sensitivity: 90dB ±2dB
- Freq Response: 70Hz - 20kHz
- Crossover: 2400Hz
- Impedance: 4 ohms
- Dimensions: WxDxH 11.61 × 4.92 × 24.8”
- Cut Out: HxW 23.2” x 10”
- Weight: 27.22 lbs.

All Optimal Speaker Design speaker products have Limited Lifetime Warranty against defects in materials and workmanship. Proof of purchase must accompany all claims. During the warranty period Optimal Speaker Design will replace any defective part and correct any defect in workmanship without charge for either parts or labor. Optimal Speaker Design may replace returned speakers with a product of equal value and performance. In such cases, some modification to the mounting may be necessary and are not Optimal Speaker Design's responsibility.

For this warranty to apply, the unit must be installed and used according to its written instructions. If necessary, repairs must be performed by Optimal Speaker Design. The unit must be returned to Optimal Speaker Design at the owner's expense and with prior written permission. Accidental damage and shipping damage are not considered defects, nor is damage resulting from abuse or from servicing performed by an agency or person not specifically authorized in writing by Optimal Speaker Design.

Optimal Speaker Design sells products only through authorized dealers and distributors to ensure that customers obtain proper support and service. Any Optimal Speaker Design product purchased from an unauthorized dealer or other source, including retailers, mail order dealers and online sellers will not be honored or serviced under existing Optimal Speaker Design warranty policy. Any sale of product by an unauthorized source or other manner not authorized by Optimal Speaker Design shall void the warranty on the applicable product.

Damage to or destruction of components due to application of excessive power voids the warranty on those parts. In these cases, repairs will be made on the basis of the retail value of the parts and labor. To return for repairs, you must email customer service at RMA@audiogeargroup.com for a Returned Merchandise Authorization (RMA) number# then the unit must be shipped to Optimal Speaker Design at the owner's expense, along with a note explaining the nature of service required. Be sure to pack the speaker(s) in a corrugated container with at least 3 inches of resilient material to protect the unit from damage in transit.

This Warranty Does Not Cover: Damage caused by abuse, accident, misuse, negligence, or improper operation (installation) • Any products that have been altered or modified • Any product whose identifying number of decal, serial #, etc. has been altered, defaced or removed • Normal wear and maintenance.