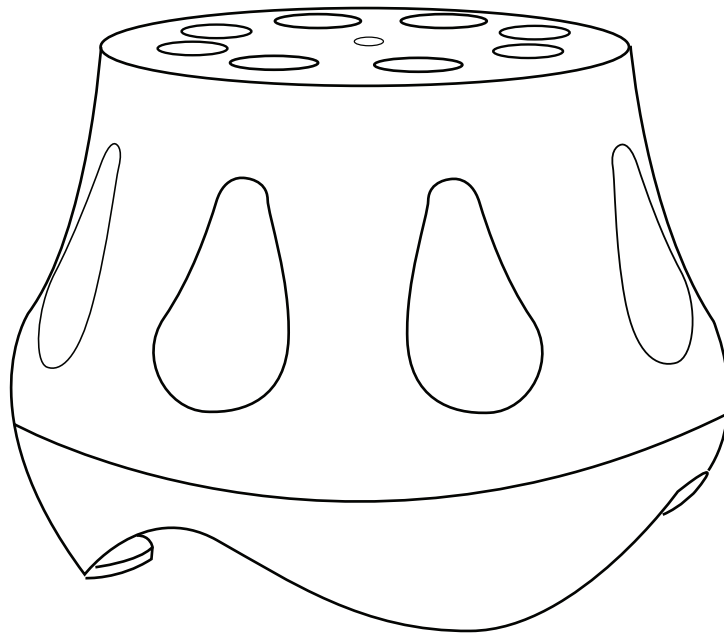




FORZA10

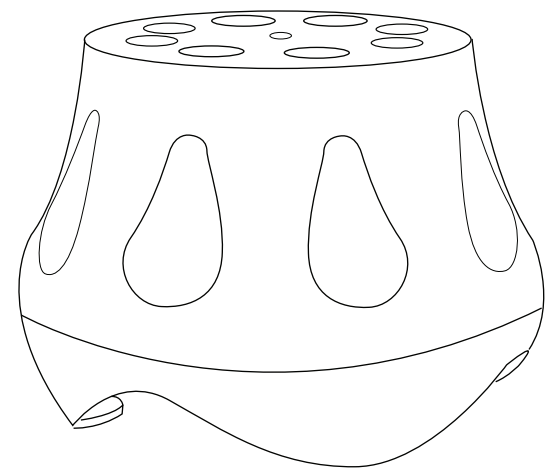
OUTDOOR SUBWOOFER INSTALL GUIDE



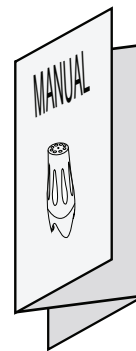
Safety Instructions

1. Please read the instructions carefully before installation and use. Keep the manual for future reference.
2. When installing the speaker outside do not submerge or place them in direct contact with water (ponds, water features or fountains).
3. Handle with care, damage to the speaker may occur if dropped or mishandled - resulting in loss of sound or poor sound quality.
4. Use only approved and certified wiring in your installation. Do not stretch or place the wire where it may come in contact with sharp objects.
5. Never overdrive your speakers to the point of distortion and always reduce the volume level prior to switching input sources (FM to CD etc...).
6. Prior to removing any cables ensure all power to your amplifier and other components is turned OFF.
7. Turn off the power to the speaker when unused for any long period of time.

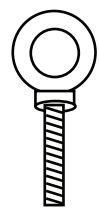
Packing List



FORZA 10 Subwoofer



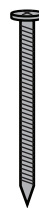
User Manual



Security Eye-bolt



Wire Nuts X2



Mounting Screw X2

Installation

Deck Mount

1. Determine where you want to locate the subwoofer.
2. Measure the center-to-center distance between the key-hole slots and install two mounting screws into the deck, leaving 1/4" of the screw exposed above the surface. (Diagram 1)
3. Place the subwoofer onto the pan head screws and rotate clockwise to lock into position over the key-hole slots. (Diagram 1)

Garden Placement

You may locate the FORZA 10 anywhere you can run speaker wire. If you place your subwoofer in a garden bed, on grass, mulch or upon soft ground we recommend you place it on a paver or other hard surface and remove all gravel and debris prior to installation. This will prevent plants, weeds and dirt from building up under the speaker that may cause damage or loss in performance.

NOTE: For anti-theft security and permanent placement the FORZA 10 has a built-in eye-bolt that enables you to anchor it's location. (Diagram 2)

Security Eye-Bolt

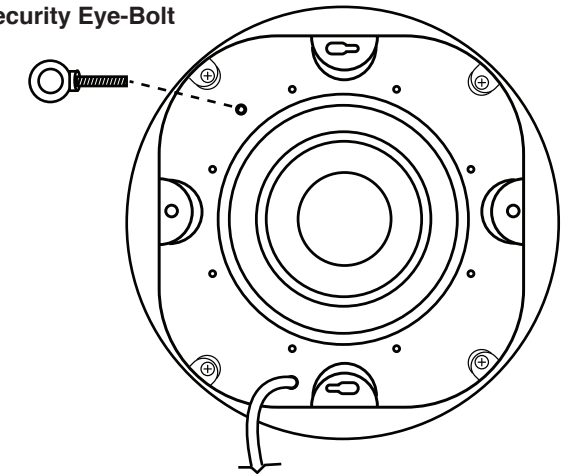
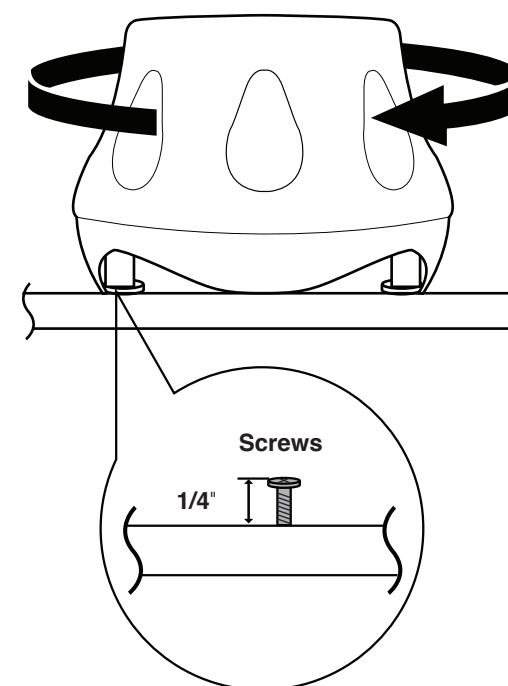


Diagram 2

Diagram 1



Key-Hole Slots

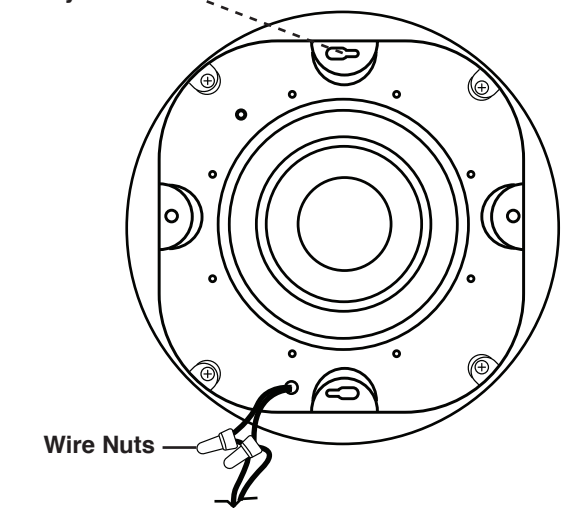


Diagram 3

Specifications

IP66 Rated	Dust Proof and Water Resistant.
Woofers	10" Polypropylene Cone
Power	300 Watts Max
Freq Response	20 - 300Hz
Sensitivity	86 dB
Impedance	4 Ohm
Dimensions	(HxWxD) 12.2" x 16.5" x 16.5" inch

Warranty Information

All OSD AUDIO outdoor speakers have (1) year Limited Warranty against defects in materials and workmanship. Proof of purchase must accompany all claims. During the warranty period OSD AUDIO will replace any defective part and correct any defect in workmanship without charge for either parts or labor.

OSD AUDIO may replace returned speakers with a product of equal value and performance. In such cases, some modifications to the mounting may be necessary and are not OSD AUDIO's responsibility.

For this warranty to apply, the unit must be installed and used according to its written instructions. If necessary, repairs must be performed by OSD AUDIO. The unit must be returned to OSD AUDIO at the owner's expense and with prior written permission. Accidental damage and shipping damage are not considered defects, nor is damaged resulting from abuse or from servicing performed by an agency or person not specifically authorized in writing by OSD Audio.

OSD AUDIO sells products only through authorized dealers and distributors to ensure that customers obtain proper support and service. Any OSD AUDIO product purchased from an unauthorized dealer or other source, including retailers, mail order dealers and online sellers will not be honored or serviced under existing OSD AUDIO warranty policy. Any sale of product by an unauthorized source or other manner not authorized by OSD AUDIO shall void the warranty on the applicable product.

Damage to or destruction of components due to application of excessive power voids the warranty on those parts. In these cases, repairs will be made on the basis of the retail value of the parts and labor. To return for repairs, you must email customer service at RMA@audiogeargroup.com for a Returned Merchandise Authorization (RMA) number then the unit must be shipped to OSD AUDIO at the owner's expense, along with a note explaining the nature of service required. Be sure to pack the product(s) in a corrugated container with at least 3 inches of resilient material to protect the unit from damage in transit.

This Warranty Does Not Cover: Damage caused by abuse, accident, misuse, negligence, or improper operation (installation) • Any products that have been altered or modified • Any product whose identifying number of decal, serial #, etc. has been altered, defaced or removed • Normal wear and maintenance.