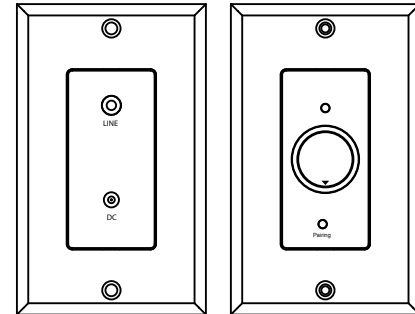
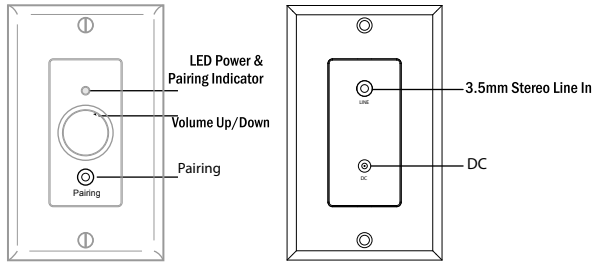


XWB50 | IN-WALL STEREO AMPLIFIER

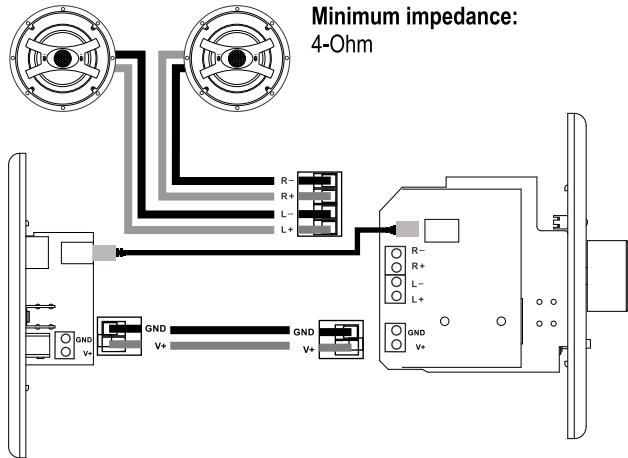


Overview

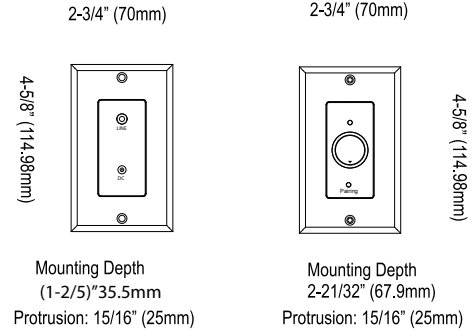


To reset your connection turn the amplifier OFF and ON

Connection Diagram



Specifications



Output Power	2 x 25 WRMS @ 4-Ohm
Freq. Response	20Hz - 20kHz
THD	< 0.1% @ 1kHz
Signal-to-Noise	95 dB @ 4-Ohm 1kHz
Input Impedance	20 kOhm
Input Sensitivity	.01 - 1 V
Wireless Range	up to 32.8 feet (10m)
Power Supply	14 - 24 VDC / 2A - 5A

Note:

- The XWB50 must be installed by a licensed contractor
- Do NOT use below 4-Ohm stereo
- For optimum performance & power output use 24VDC/2A power supply