

# USER GUIDE

### Important Safety Instructions



The lightning flash with the arrowhead symbol within an equilateral triangle is intended to alert the user to the presence of dangerous voltage inside the product that may constitute a risk of electric shock.



The exclamation point within an equilateral triangle is intended to alert the user to the presence of important operating and maintenance instructions in the literature accompanying the product.

TO REDUCE THE RISK OF ELECTRIC SHOCK, DO NOT REMOVE COVER. NO USER-SERVICEABLE PARTS INSIDE. REFER SERVICING TO QUALIFIED SERVICE PERSONNEL

- 1. Read Instructions** — Read all the safety and operating instructions before operating this product.
- 2. Retain Instructions** — Retain safety and operating instructions for future reference.
- 3. Heed Warnings** — Adhere to all warnings on the product and in the operating instructions.
- 4. Follow Instructions** — Follow all operating and use instructions.
- 5. Cleaning** — Unplug this product from the wall outlet before cleaning. Use a damp cloth for cleaning. Clean the outside of the product only.
- 6. Attachments** — Do not use attachments that are not recommended by the product manufacturer; they may be hazardous.
- 7. Water and Moisture** — Do not use this product near water.
- 8. Accessories** — Do not place this product on an unstable cart or stand. The product may fall, causing bodily injury and damage to the product. A product and cart combination should be moved with care. Quick stops, excessive force, and uneven surfaces may cause the product and cart to overturn.
- 9. Ventilation** — Slots and openings in the cabinet are provided for ventilation to ensure reliable operation of the product and to protect it from overheating. These openings must not be blocked or covered. This product should not be placed in a built-in installation such as a bookcase or rack unless proper ventilation is provided.
- 10. Power Sources** — Operate this product only from the type of power source indicated on the label. If you are not sure of the type of power supply to your home, consult your dealer or local power company. This product is equipped with a three-prong grounding plug. This plug will only fit into a grounding power outlet. If you are unable to insert the plug into the outlet, contact your electrician to replace your obsolete outlet. Do not defeat the safety purpose of the grounding plug.
- 11. Power Cord Protection** — Power supply cords should be routed so that they are not likely to be walked on or pinched by items placed upon or against them.
- 12. Lightning** — Unplug the unit from the wall outlet for added protection during a lightning storm and when it is left unattended and unused for long periods of time. This will prevent damage to the product due to lightning and power line surges.
- 13. Overloading** — Do not overload wall outlets or extension cords. This can result in a fire or electric shock.
- 14. Inserting Objects into Unit** — Never push objects of any kind into this product through any openings; they may touch dangerous voltage points or short out parts that could result in fire or electric shock.
- 15. Servicing** — Do not attempt to repair or service this product yourself. Opening or removing covers may expose you to dangerous voltage and other hazards. Refer all servicing to qualified service personnel.

- 16. Damage Requiring Service** — Unplug this product from the wall outlet and refer servicing to qualified service personnel under the following conditions: **a)** If the power-supply cord or plug is damaged. **b)** If liquid has been spilled into the product. **c)** If the product has been exposed to rain or water. **d)** If the product does not operate normally by following the operating instructions. **e)** If the product has been dropped or damaged in any way. **f)** If the product exhibits a distinct change in performance.
- 17. Replacement Parts** — When replacement parts are required, be sure the service technician has used replacement parts specified by the manufacturer. Unauthorized substitutions may result in fire, electric shock, and other hazards.
- 18. Safety Check** — Upon completion of any service or repairs to this product, ask the service technician to perform safety checks to determine that the product is in proper operating condition.
- 19. Wall or Ceiling Mounting** — Mount the product to a wall or ceiling only as recommended.
- 20. Heat** — The product should be situated away from heat sources such as radiators, heat registers, stoves, and other products (including amplifiers) that produce heat.

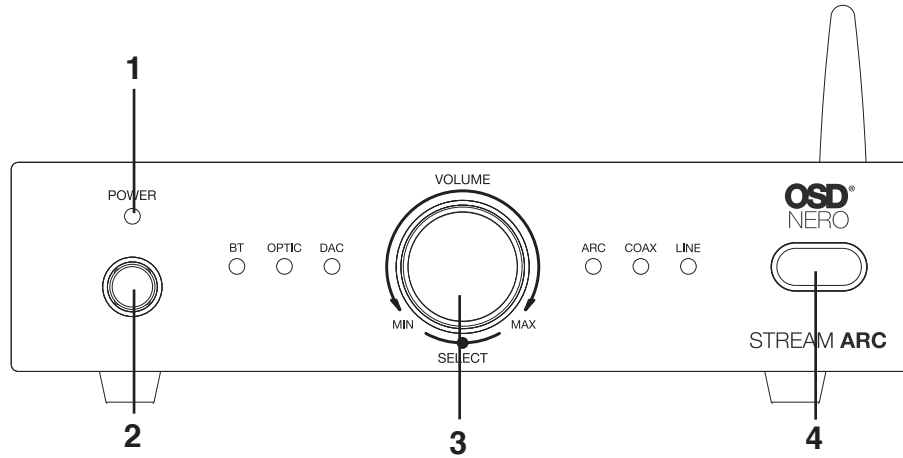
## INTRO / FEATURES

Integrated Amp/Preamp, 100-watt per channel RMS Class D Stereo Amplifier with ARC, USB plus 3 other inputs, subwoofer output, and remote control. The OSD Nero ARC amplifier makes a great choice for improving the sound from your TV or computer speakers. This versatile amp's ARC, 24/192 USB Audio, digital, and line-level Inputs ensure connectivity with your existing equipment. With Its range of 6 different inputs, it also makes a great stand-alone Integrated amp. Small enough to be mounted behind your TV. Add A bookshelf, floor-standing speakers, and a subwoofer to get Theater-quality sound. Alternatively, use in-wall speakers for an aesthetically pleasing solution. Improves your laptop or computer sound; connect using ARC, USB, or headphone outputs, add desktop speakers, and transform your home office audio experience. The front-mounted volume control makes it quick and easy to adjust the sound level.

- 2 x 100 Watts RMS 4 Ohms, for high power sound
- 1 x 200 Watts peak power for maximum dynamics
- Class D design for maximum efficiency and low-cost running
- Greater than 95 dB SNR for low noise and clear sound
- Six separate inputs, including ARC for TV and computer connection
- Volume, Bass, and Treble controls allow you to 'dial in' exactly the sound you want
- Auto stand-by turns the amp off when not being used.

### IN THE BOX:

IR Remote	2 AAA Batteries
Wall Mount Brackets	External Antenna
Power Cord	QR Code Warranty Card



**1. POWER/STATUS INDICATING LIGHT**

The Green light indicates regular operation, the red light indicates FAULT, and the orange light indicates waveform trim

**2. POWER SWITCH**

Used to turn on or off the power of the internal amplifier

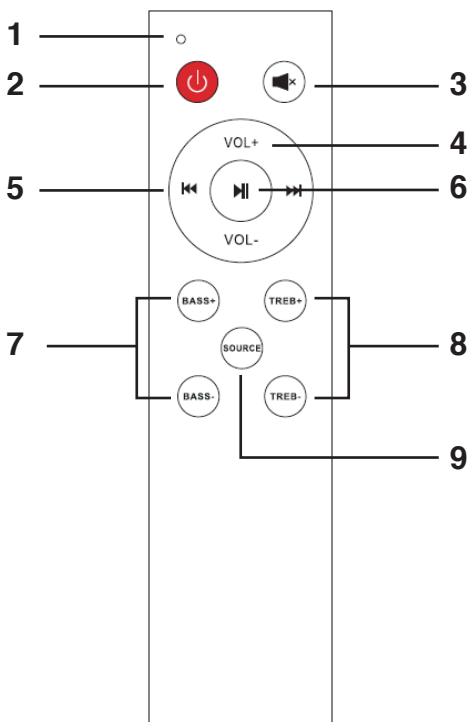
**3. VOLUME/SOURCE SELECTION CONTROL KNOB**

The Volume/Select Knob is rotated to the left

(counterclockwise) to turn the volume down and turn to the right (clockwise) to increase the volume. Press the Volume/Select Knob to Cycle through the sources one at a time: Digital Optical, DAC, ARC, Digital Coax, and Line in. Hold the Volume/Source knob down to restore factory settings. In the standby state, press the Knob to wake up the power amplifier

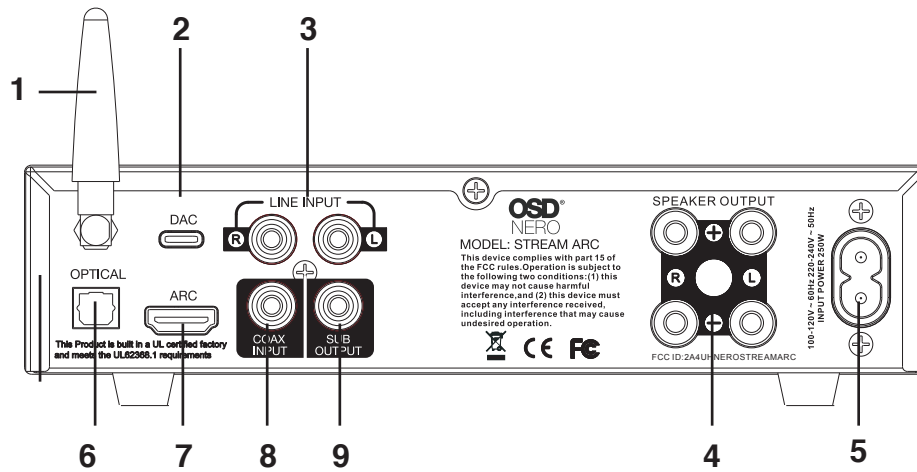
**4. IR WINDOW**

Used to receive the infrared signal of the remote control



**REMOTE CONTROL**

- 1. Power LED Flashing indicator
- 2. Power Button
- 3. Volume Mute Button
- 4. Volume +/-
- 5. Forward/Rewind
- 6. Pause/Play Button
- 7. Bass +/-
- 8. Treble +/-
- 9. Source Select Button  
(Optical, DAC, USB-C, ARC, Digital Coax, Line -In)



### 1. External Antenna

To maintain the stability of signal strength.

### 2. Digital DAC Input

Used to play USB C disk music and connect computer playback.

### 3. Analog AUX Input

It can play music by connecting to CDs, DVDs, set-top boxes, and other audio sources with analog audio output devices.

### 4. Speaker Output Terminals

Five-way Binding posts can connect a pair of 4-ohm, 8-ohm, or two pairs of 8-ohm speakers (with a 4-ohm load).

### 5. AC Outlet

It supports AC 100 - 120V/220 - 240V voltage input and can adapt to the power supply voltage of different countries worldwide.

### 6. Digital OPTICAL Input

To achieve sound source playback, you can connect some devices with OPITC output, such as TVs and karaoke machines.

### 7. Digital ARC Input

Some devices with ARC, such as TVs and karaoke machines, can be connected to achieve music playback.

### 8. Digital COAX Input

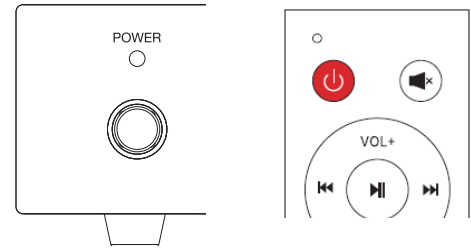
Some devices with COAX output, such as TVs and karaoke machines, can be connected to achieve music playback.

### 9. Analog SUB Output

It connects to an active subwoofer for a stronger bass effect.

## Amplifier Standby:

The power amplifier has an automatic shutdown function; in the absence of any audio input, it will enter the automatic standby state within 10 minutes; Standby power consumption  $\leq 0.5W$ ; you can use the standby button of the remote control or touch the switch through the encoder on the panel to wake up the power amplifier. The power amplifier has a power-off memory function. When powered off and then powered on again, it will return to the parameters before the shutdown, such as EQ, sound source, etc.



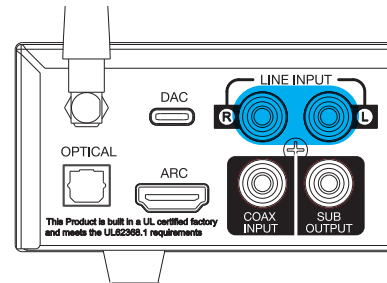
## ARC Connection:

Connect the ARC-approved HDMI cable to the Input Port labeled ARC or eARC. The other end connects the ARC input on the back panel of the NERO ARC Integrated AMP/PREAMP. This will only work if both connections are ARC-ready. This allows the TV's audio output through the ARC connection and enables the CEC control between the TV and the NERO ARC device so that the TV remote control can control the NERO ARC without the need for Programming.

Note: You will most likely have to change the TV settings, disabling their internal speakers while enabling the audio output through the ARC port of the television. Some TVs may require adjustments for the ARC port to enable the CEC operation.

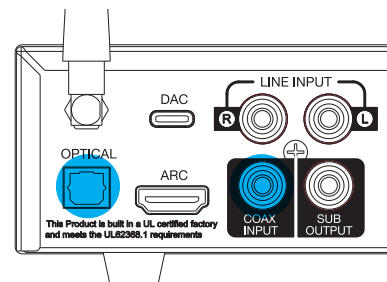
## Analog Line/In Sub/Out:

Connect any Playback device with Audio out/Line out/Aux out to Line in using an RCA cable. For example, a CD/DVD Player or Headphone connection from your Smartphone.



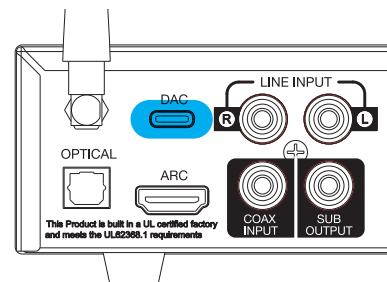
## Digital Optical/Coaxial Inputs:

Connect any playback device with Digital Fiber output to Optical input using Optical Cable (TV, AVR)



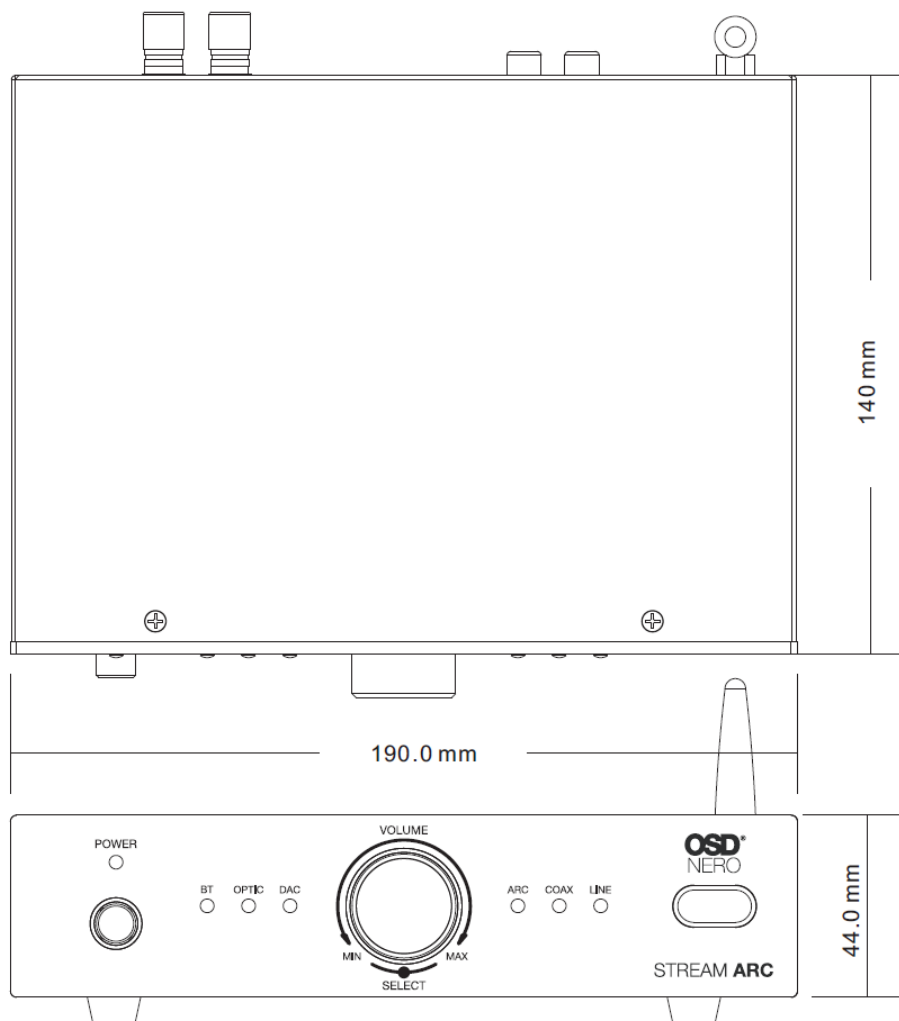
## DAC USB Type C Input From USB Type A Output:

Transfer Native Digital signal from your Desktop or Laptop Computer to the DAC Type C Input on the NERO ARC utilizing the Audiophile DAC (Digital to Analog Converter) featured in the NERO ARC



# SPECIFICATIONS

Categories	ARC Specs	Categories	ARC Specs
Amplifier type	Two Channel L&R Stereo	Sources/ Inputs	Optical / DAC / ARC / Coax / LINE IN
Design type	Digital Class D		
Channels	2	Output	L/R speaker out (mono) / SUB Out
		Maximum Sample Rate	44.1kHz, 48kHz, 96kHz, 192kHz
Peak power output	200W	Bit Resolution	16-24 bits
8-ohm Power Rating	50W x 2 RMS, 2 x 100W Peak Power	Supports 24Bit/192kHz	Yes
4-ohm Power Rating	100W x 2 RMS, 2 x 200W Peak Power	Wall Mountable	Yes
Frequency Response	20Hz-20kHz	Remote Control	Yes
Impedance	8 Ohm to 4 Ohm Stable	Dimensions (L x H x D)	7.48" x 1.97" x 5.5" ( 190*50*140 mm)
Signal to Noise Ratio	>95dB A-weighted	Weight	about 1.13 KG



OSD NERO electronics have (2) year Limited Warranty against defects in materials and workmanship. Proof of purchase must accompany all claims. During the warranty period OSD Audio will replace any defective part and correct any defect in workmanship without charge for either parts or labor.

OSD Audio may replace returned electronics with a product of equal value and performance. In such cases, some modifications to the mounting may be necessary and are not OSD Audio's responsibility.

For this warranty to apply, the unit must be installed and used according to its written instructions. If necessary, repairs must be performed by OSD Audio. The unit must be returned to OSD Audio at the owner's expense and with prior written permission. Accidental damage and shipping damage are not considered defects, nor is damage resulting from abuse or from servicing performed by an agency or person not specifically authorized in writing by OSD Audio.

OSD Audio sells products only through authorized dealers and distributors to ensure that customers obtain proper support and service. Any OSD Audio product purchased from an unauthorized dealer or other source, including retailers, mail order dealers and online sellers will not be honored or serviced under existing OSD Audio warranty policy. Any sale of product by an unauthorized source or other manner not authorized by OSD Audio shall void the warranty on the applicable product.

Damage to or destruction of components due to application of excessive power voids the warranty on those parts. In these cases, repairs will be made on the basis of the retail value of the parts and labor. To return for repairs, you must email customer service at [RMA@audiogeargroup.com](mailto:RMA@audiogeargroup.com) for a Returned Merchandise Authorization (RMA) number then the unit must be shipped to OSD Audio at the owner's expense, along with a note explaining the nature of service required. Be sure to pack the product(s) in a corrugated container with at least 3 inches of resilient material to protect the unit from damage in transit.

This Warranty Does Not Cover: Damage caused by abuse, accident, misuse, negligence, or improper operation (installation) • Any products that have been altered or modified • Any product whose identifying number of decal, serial #, etc. has been altered, defaced or removed • Normal wear and maintenance.