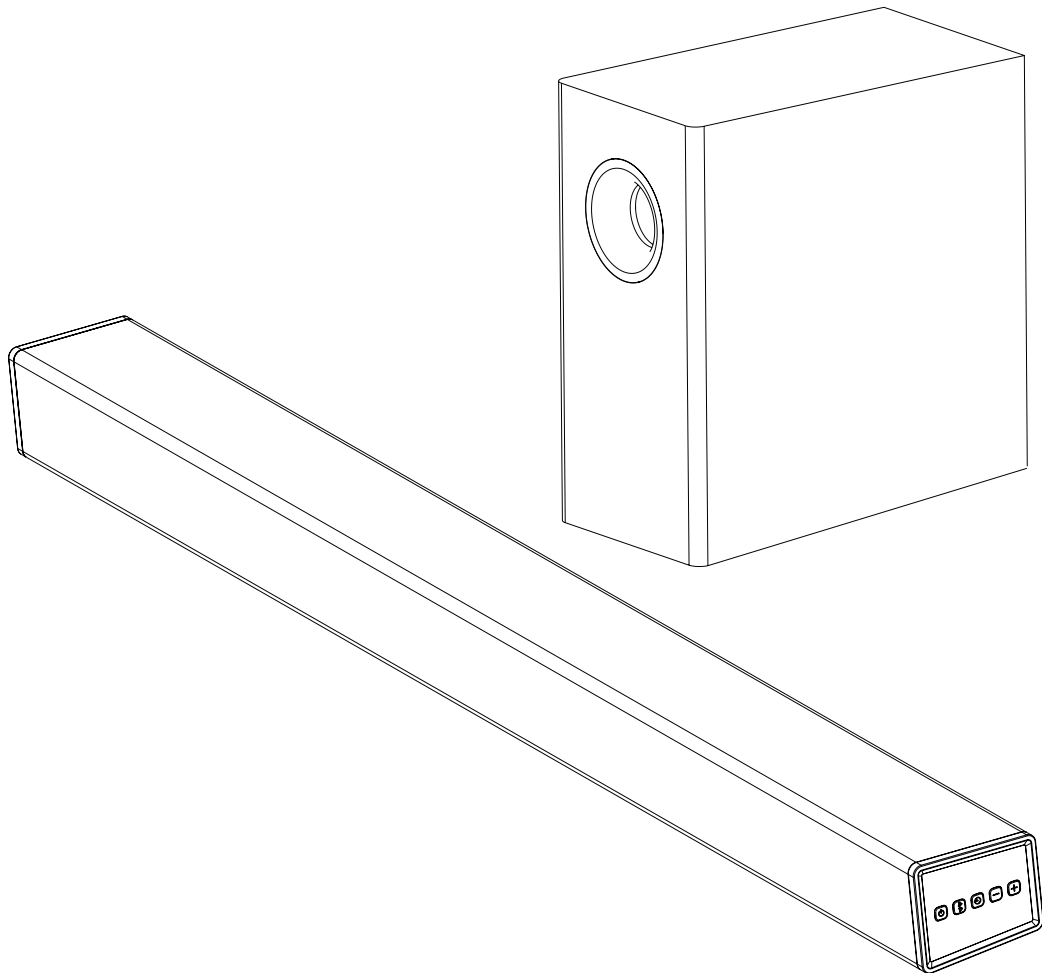




NERO **SB42** | HI-FI SOUNDBAR S Y S T E M

USERS GUIDE



**Caution:**

To reduce the risk of electric shock, do not dismantle the product and do not expose the apparatus to rain or moisture. No user-serviceable parts inside. Refer servicing to qualified personnel only.


Explanation of Graphical Symbols:

The lightning flash within an equilateral triangle is intended to alert you to the presence of uninsulated dangerous voltage within the product's enclosure that may be of sufficient magnitude to constitute an electric shock to a person or persons.



The exclamation point within an equilateral triangle is intended to alert you to the presence of important operating and maintenance (servicing) instructions in the literature accompanying the product.

WARNINGS:

- 1. Read Instructions** - All the safety and operating instructions must be read before the product is operated.
- 2. Retain Instructions** - The safety and operating instructions should be kept with the product for future reference.
- 3. Heed warnings** - All warnings on the product and in the operating instructions should be adhered to.
- 4. Follow instructions** - All operating and users' instructions should be followed.
- 5. Installation** - Install in accordance with the manufacturers' instructions.
- 6. Power sources** - This product should be operated only from the type of power source indicated by the marking adjacent to the power cord entry. If you are not sure of the type of power supply to your home, consult your product dealer or local power company.
- 7. Grounding or polarization** - the product is not required to be grounded. Ensure the plug is fully inserted into the wall outlet or extension cord receptacle to prevent blade or pin exposure. Some versions of the product are equipped with a power cord fitted with a polarized alternating line plug (a plug having one blade wide than the other). This plug will fit onto the power outlet only one way. This is a safety feature. If you are unable to insert the plug fully into the outlet, try reversing the plug. If the plug should still fail to fit, contact your electrician to replace your obsolete outlet. Do not defeat the safety purpose of the polarized plug. When using an extension power-supply cord or a power-supply cord other than that supplied with the product, it should be fitted with the appropriate molded plugs and carry safety approval appropriate to the country of use.
- 8. Power cord protection** - Power-supply cords should be routed so that they are not likely to be walked on, kinked or pinched by items placed on or against them, paying particular attention to cords from plugs, receptacles and the point where they exit from the appliance.
- 9. Overloading** - Do not overload wall outlets, extension cords or multiple sockets, as this can result in a risk of fire or electric shock.
- 10. Ventilation** - The product must be properly ventilated. Do not place the product on a bed, sofa, or other similar surface. Do not cover the product with any items such as tablecloths, newspapers, etc.
- 11. Heat** - The product should be situated away from heat sources such as radiators, heat registers, stoves, or other products including amplifiers that produce heat. No naked flame sources, such as lighted candles, should be placed on the apparatus.
- 12. Water and moisture** - To reduce the risk of fire or electric shock, do not expose the product to dripping, splashing or excessive moisture such as in a sauna or bathroom. Do not use this product near water, for example, near a bathtub, washbowl, kitchen sink, laundry tub, in a wet basement, or near a swimming pool, or etc.
- 13. Object and Liquid Entry** - Never push objects of any kind into this product through openings, as they may touch dangerous voltage points or short-circuit parts that could result in a fire or electric shock. Never spill liquid of any kind on the product. Do not place any object containing liquid on top of the product.
- 14. Cleaning** - Unplug the product from the wall outlet before cleaning. The cabinet of the subwoofer may be cleaned by dusting with a dry cloth. If you wish to use an aerosol cleaning spray, do not spray directly on the cabinet; spray onto the cloth. Be careful not to damage the drive units.
- 15. Attachments** - Do not use attachments not recommended by the product manufacturers, as they may cause hazards.
- 16. Accessories** - Do not place this product on an unstable cart, stand, tripod, bracket or table. The product may fall, causing serious injury to a child or adult, and serious damage to the product. Use only with a cart, stand, tripod, bracket or table recommended by the manufacturer or sold with the product. Any mounting of the product should follow the manufacturers' instructions and should use a mounting accessory recommended by the manufacturer. 
- 17. Moving the product** - A product and cart combination should be moved with care. Quick stops, excessive force and illustrations uneven surfaces may cause the product and cart combination to overturn.
- 18. Unused periods** - The power cord of the appliance should be unplugged from the outlet during lightning storms or when the apparatus is left unused for a long period of time.

- 19. Servicing** - Do not attempt to service this product yourself, as opening or removing covers may expose you to dangerous voltage or other hazards. Refer all servicing to qualified service personnel.
- 20.** Please remove the power plug from the main power source or wall power source when not in use. When plugged in to a power source, the system is in standby mode, so the power is not entirely cut off.
- 21. Replacement parts** - When replacement parts are required, ensure the service technician has used replacement parts specified by the manufacturer or have the same characteristics as the original part. Unauthorized substitutions may result in fire, electric shock or other hazards.
- 22. Mains fuses** - For continued protection against fire hazard, use fuses only of the correct type and rating. The correct fuse specification for each voltage range is marked on the product.
- 23.** Do not turn up the volume while listening to a section with very low level inputs or no audio signals. If you do, the speaker may be damaged when a peak level section is suddenly played.
- 24.** The only means of completely disconnecting the product from the power supply is by removing the power cord from the wall outlet or the product. The wall outlet or the power cord entry to the product must remain freely accessible at all times while the product is in use.
- 25.** Try to install the product near a wall socket or extension cord and shall be easily accessible.
- 26.** The highest environmental temperature suitable for this product is 40°C.

Where the MAIN plug is used as the disconnect device, the disconnect device shall remain readily operable. Keep minimum distances of 10cm around the apparatus for sufficient ventilation; the use of apparatus in moderate climates; apparatus shall not be exposed to water, dripping or splashing and that no objects filled with liquids, such as vases, shall be placed on the apparatus. (battery pack or batteries installed) shall not be exposed to excessive heat such as sunshine, fire or the like. Marking and rating plate is located at rear enclosure of the apparatus. Excessive sound pressure from earphones and headphone can cause hearing loss.

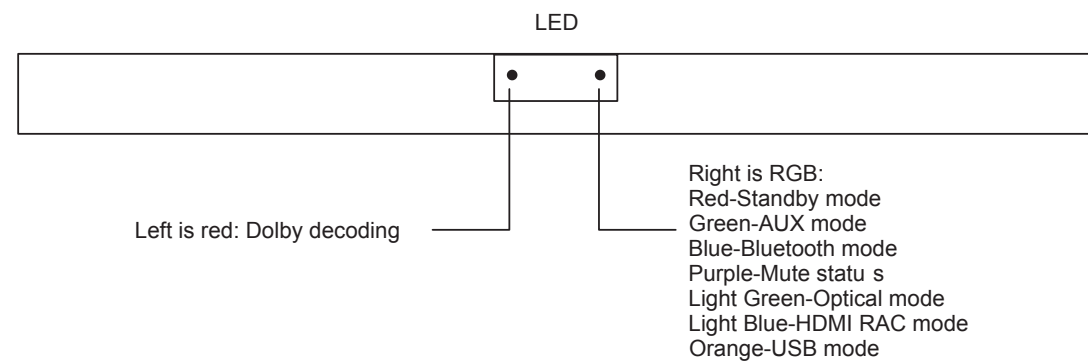
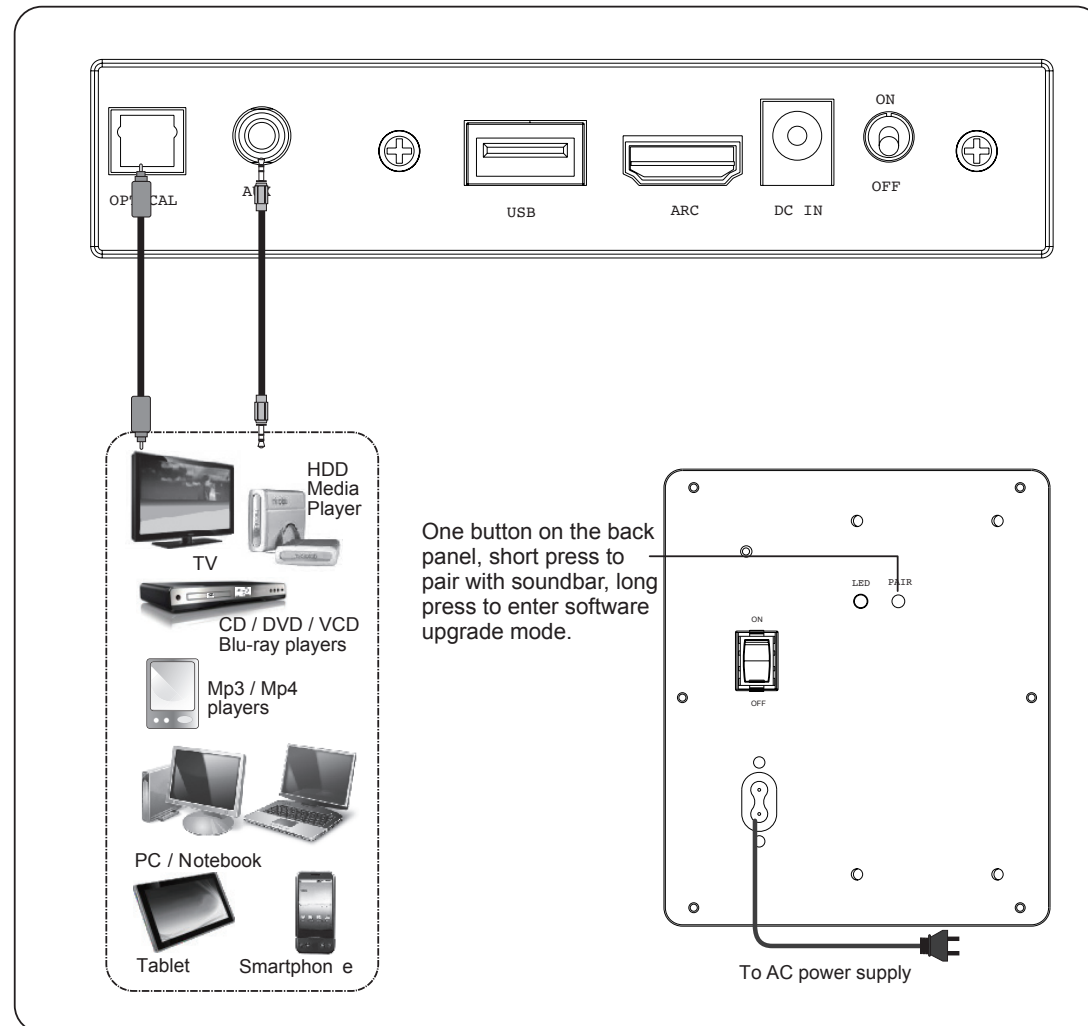
WARNING

Do not ingest the battery, Chemical Burn Hazard (The remote control supplied with) This product contains a coin/button cell battery. If the coin/button cell battery is swallowed, it can cause severe internal burns in just 2 hours and can lead to death. Keep new and used batteries away from children. If the battery compartment does not close securely, stop using the product and keep it away from children. If you think batteries might have been swallowed or placed inside any part of the body, seek immediate medical attention.



Manufactured under license from Dolby Laboratories. Dolby, Dolby Audio, and the double-D symbol are trademarks of Dolby Laboratories.

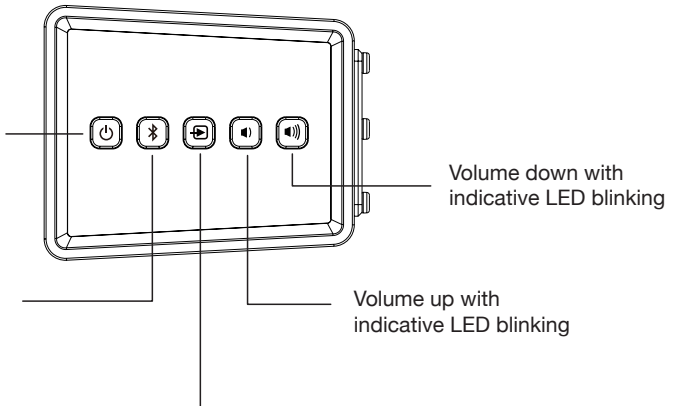
Illustration



Connection/Operation

Plug in the soundbar and subwoofer, press ST-BY mode, subwoofer blinks blue and pairs to soundbar. After successfully connected, blue light illuminates. Select any input mode to play.

After power on, it defaults to ST-BY mode. Short press STBY to enter AUX mode, the second press to mute, another press to re-enter AUX mode. Long press STBY 3 seconds to enter ST-BY mode.

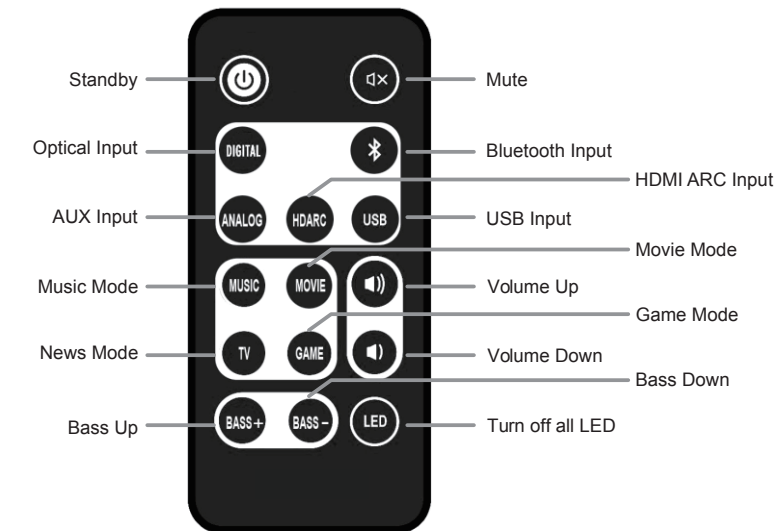


Short press to play and pause; long press to pair.

Volume up with indicative LED blinking

Short press to select input modes; long press to enter remote control learning status.

- A. Long press up to 5 seconds
- B. Indicative LED blinks, enter learning status.
- C. Press any button on soundbar to start learning.
- D. Indicative LED turns off.
- E. Press the button on the remote control you want it to learn.
- F. Indicative LED blinks 3 times, it's learned successfully.
- G. Repeat A-F to learn other buttons



Specifications

Output power, RMS:	85 Watt RMS
Power distribution, Watt:	15Watt x 2 + 55Watt
Harmonic distortion:	< 0.5% 1 W 1 kHz
Frequency response:	30 Hz - 20 kHz
Signal/Noise ratio, dB:	> 80 dB
Separation, dB:	> 45 dB
Soundbar Dim:	H 2.6" x W 42" x D 3.15"
Subwoofer Dim:	H 13.4" x W 6.7" x D 12.3"

Troubleshooting

Problem	Solution
Power LED won't light up	Check if the system is powered on Check that the power plug is well connected
No Sound	Check that the audio source is working well Check that the audio and speaker cables are well connected Check if the volume is at right level
One or more satellite no sound	Check if the satellite cable is well connected, and ensure source connection is correctly inserted
Static sound heard when volume knob is turned	Turn off the playback source first, then turn the speaker volume knob several times. Playback again and monitor. The static noise is usually due to dust, so simply turning the volume will remove it easily.
Is my playback device supported?	Supports any playback devices such as smartphone, tablet, PC, notebook, CD/DVD player, media players with 3.5mm stereo plug.
Sound is distorted	Check that the source file is not corrupted, play a different song to test. Ensure music file is of 192 kbps bitrate or higher.

Packing List

You should find the following items while unpacking:

Speakers	2 Pcs
Remote Control	1 Pc
3.5 Mm Stereo - 3.5 Mm Stereo	1 Pc
Screw	2 Pcs
Adapter	1 Pc
Power Line	1 Pc
Screw Anchor	2 Pcs
User Manual	1 Pc

Warranty Information

All OSD AUDIO electronics have (2) year Limited Warranty against defects in materials and workmanship. Proof of purchase must accompany all claims. During the warranty period OSD AUDIO will replace any defective part and correct any defect in workmanship without charge for either parts or labor

OSD AUDIO may replace returned electronics with a product of equal value and performance. In such cases, some modifications to the mounting may be necessary and are not OSD AUDIO's responsibility.

For this warranty to apply, the unit must be installed and used according to its written instructions. If necessary, repairs must be performed by OSD AUDIO. The unit must be returned to OSD AUDIO at the owner's expense and with prior written permission. Accidental damage and shipping damage are not considered defects, nor is damaged resulting from abuse or from servicing performed by an agency or person not specifically authorized in writing by OSD Audio

OSD AUDIO sells products only through authorized dealers and distributors to ensure that customers obtain proper support and service. Any OSD AUDIO product purchased from an unauthorized dealer or other source, including retailers, mail order dealers and online sellers will not be honored or serviced under existing OSD AUDIO warranty policy. Any sale of product by an unauthorized source or other manner not authorized by OSD AUDIO shall void the warranty on the applicable product.

Damage to or destruction of components due to application of excessive power voids the warranty on those parts. In these cases, repairs will be made on the basis of the retail value of the parts and labor. To return for repairs, you must email customer service at RMA@audiogeargroup.com for a Returned Merchandise Authorization (RMA) number then the unit must be shipped to OSD AUDIO at the owner's expense, along with a note explaining the nature of service required. Be sure to pack the product(s) in a corrugated container with at least 3 inches of resilient material to protect the unit from damage in transit.

This Warranty Does Not Cover: Damage caused by abuse, accident, misuse, negligence, or improper operation (installation) • Any products that have been altered or modified • Any product whose identifying number of decal, serial #, etc. has been altered, defaced or removed • Normal wear and maintenance.



OSD Audio | Brea, CA | osdaudio.com